



PENKO Engineering BV

The Leading Experts In Weighing & Dosing

30kg—200kg IP67 **IBM1**

APPLICATIONS

The IBM1-IP67 model is specially designed for platforms up to 500mm x 500mm with low profile and is protected from environmental conditions that appear in industry, where work and cleaning require a good environmental protection.



APPLICATION:

Single point scales whose platform is up to 500mm x 500mm

CAPACITY RANGE:

30kg - 50kg - 100kg - 200kg

MATERIAL:

Stainless Steel

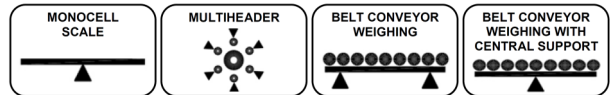
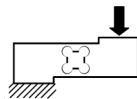
ENVIRONMENTAL PROTECTION:

IP67

APPROVALS:

CE 3000 Div - TC6178

OIML 3000 Div - R60/2000-NL 1-03.03

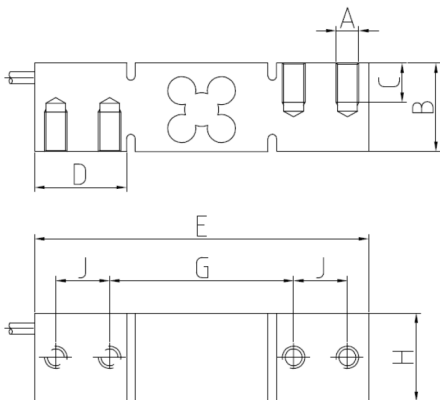


OPTIONS

Sensitivity alignment: $\pm 0,1\%$.

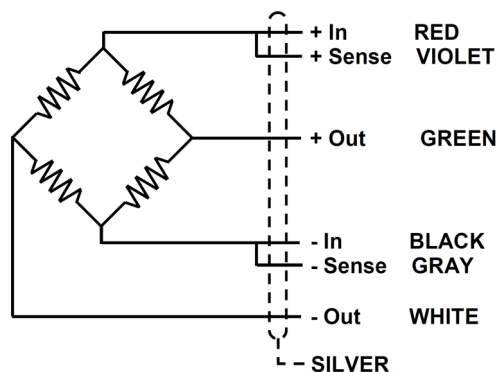
Length of the cable is optional.

Contact PENKO +31 318-525630 for special requirements.



kg	A	B	C	D	E	G	H	J
30-50	M8	31	11	32	118	65	19	19
100-200	M8	31	11	32	118	65	31	19

Dimensions in mm



Load cell IBM1: 30kg-200kg

Technical Data

SPECIFICATONS		
OIML Class	C3	UNITS
Divisions nLC	3000	
Minimum Dead load E _{min}	0	kg
Z= E _{max} / 2DR	3000	
Y= E _{max} ./ V _{min} .	10000	
Rated Capacity E _{max}	30-50-100-200	kg
Rated Sensitivity C	2 ± 10 %	mV/V
Rated Input Voltage	10	V dc
Input Voltage Range	5...15	V ac/dc
Input Resistance RLC	382 ± 10	Ω
Output Resistance	350 ± 10	Ω
Zero Balance	± 2	% E _{max}
Insulation Resistance at 50 V DC	> 5000	MΩ
Service Overload	> 150	% E _{max}
Overload Limit	> 300	% E _{max}
Temperature Range : Compensated	- 10 ... 40	°C
: Operating	- 30 ... 85	°C
: Storage	- 30 ... 90	°C
Max. Nonlinearity	0,02	% E _{max}
Max. Hysteresis	0,02	% E _{max}
Max. No repeatability	0,01	% E _{max}
M Max. Creep in 4 hours	0,03	% E _{max}
Max. Zero Recovery Test in ½ hour	0,0011	% E _{max}
Max Temperature effect : On Sensitivity	0,0013	% E _{max} / °C
: On Zero	0,0014	% E _{max} / °C
Weight	700	g
Cable Length	3	m
Environmental Protection	IP67 - DIN 40050	